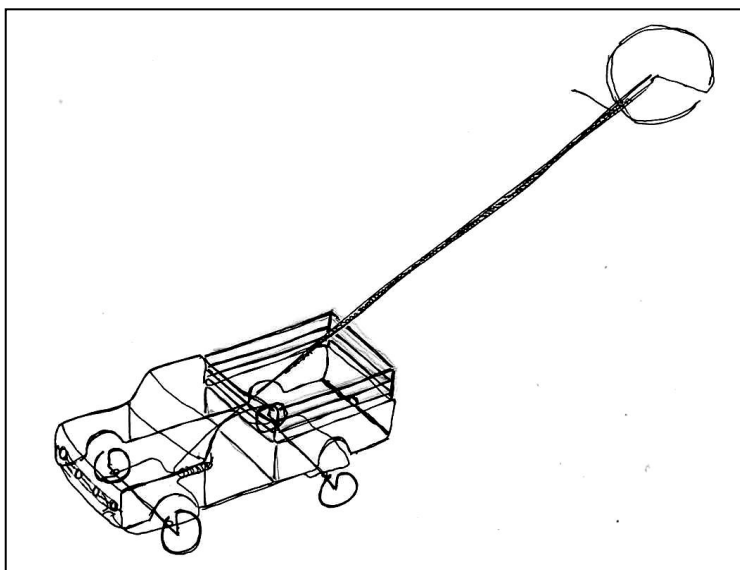


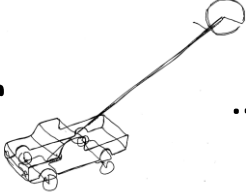
*Ben
and
Boet*

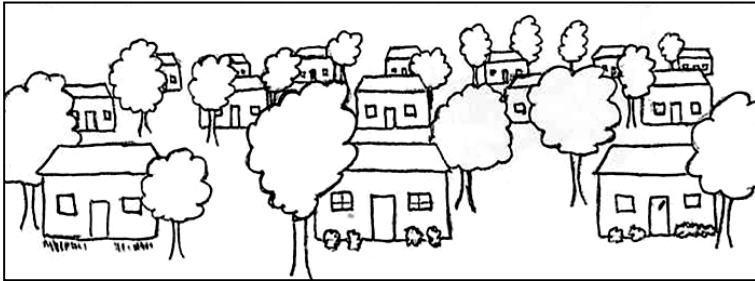


Ben and Boet

Ben and Boet1

The ball .. 3

The wire car 5



This book belongs to.....

Ben and Boet

Ben lived in a town.

The name of the town was Klipplaat.

Ben lived in Klipplaat.

He lived in a house in Klipplaat.



Ben said: "I am Ben.

My name is Ben.

I live in a town.

My town's name is Klipplaat."

Boet lived in Klipplaat too.

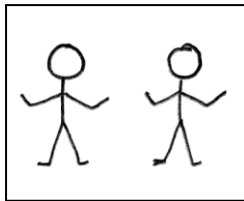
He was Ben's friend.

Ben and Boet were friends.

Ben said: "Boet is my friend.

He and I are good friends.

I am glad he is my friend."



The ball

Ben and Boet lived in Klipplaat.

Boet was Ben's best friend.

One day Ben went to Boet's house.

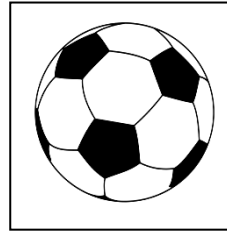
Ben had a ball.

"Boet," said Ben. "Come, Boet.

Come and play.

Look, I have a ball.

Come and play with me.

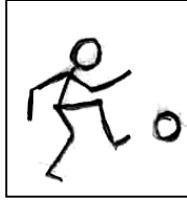


Come and play ball with me."

Boet was glad.

He wanted to play.

He wanted to play with his friend Ben.



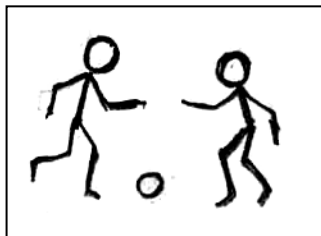
Ben kicked the ball to Boet.

Boet kicked it back.

Ben kicked it back to Boet.

It was fun to play ball together.

Ben and Boet had fun playing together
in Klipplaat.



The wire car

Ben wanted to make a wire car.

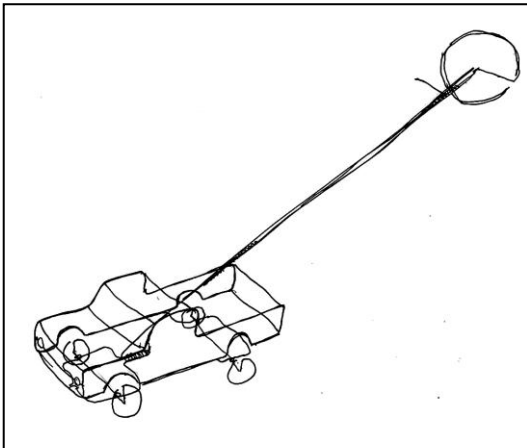
He worked and worked at it.

It took long to make.

At last it was done.

Ben was happy.

His wire car was good, very good.



Ben drove it to Boet's house.

"Boet," said Ben,

"Boet, come, look!

I made a wire car.

Come and see how well it goes."

Boet liked Ben's car.

He wanted to make one too.

Ben said, "I have some more wire.

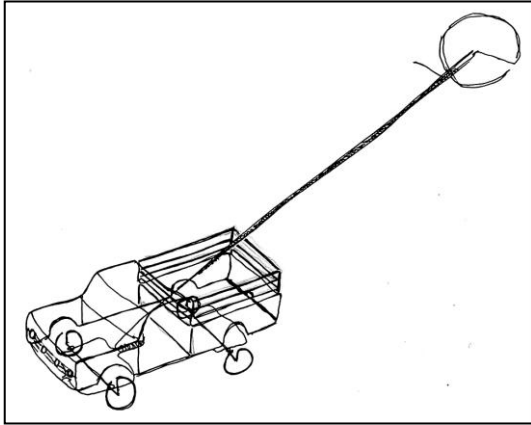
We can make a car for you too."

Ben and Boet worked together

to make another wire car.

They worked hard. It took long.

When it was done, Boet was pleased.



"Come," he said. "Let's see if my car can go as fast as yours."

They ran fast.

The wire cars raced.

Ben and Boet had a wonderful time.