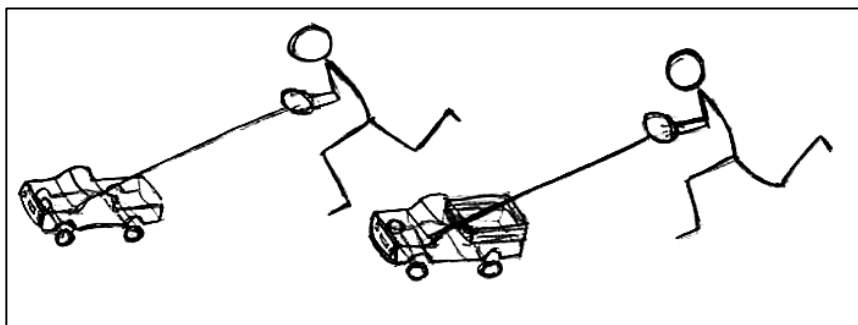


Ben

and

Boet

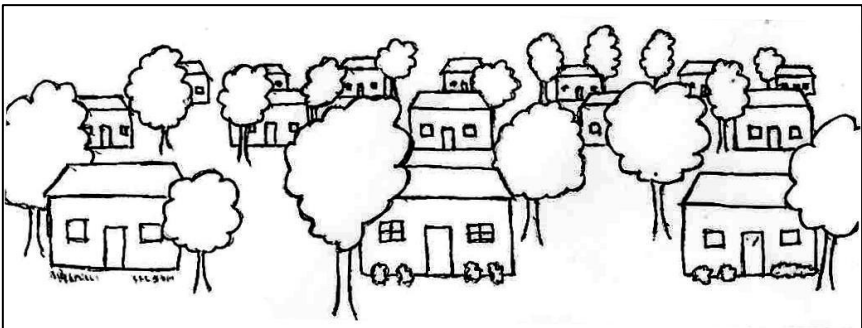
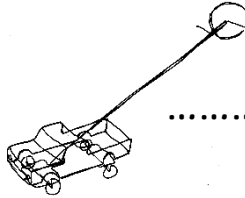
1 & 2



Ben and Boet

1 & 2

1. The wire care1
2. Lights4
3. Faster, faster!7
4. Load up!9
5. Slow down!12



This book belongs to

The wire car

Ben lived in a little town called Klipplaat.

One day he decided to make a wire car.

It took him a long time.

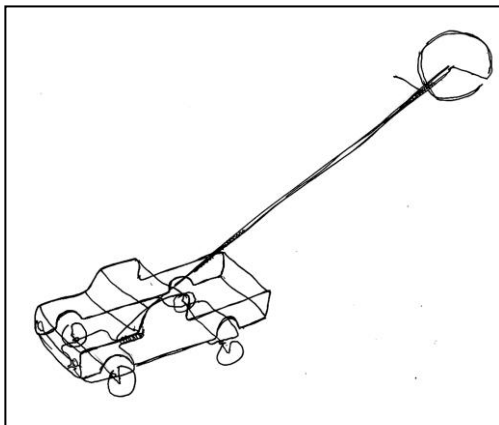
He worked and worked

until it was finished.

Ben was very pleased with it.

His wire car was very good.

It could go really fast.



Ben took it to show his friend Boet.

"Boet," he said, "Boet, come and look.

I have made a wire car. A truck.

Come and see."

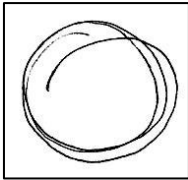
Boet saw that Ben's wire car was really good.

He wanted to make one too.

Ben was glad.

"I have got some more wire," he said.

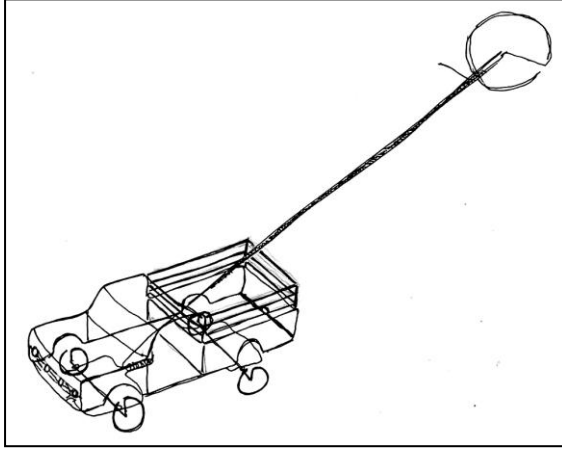
Let's make a car together."



Together they worked and worked.

It took them a long time.

At last Boet's car was finished.



It looked really good.

"Right, let's go!" said Boet.

"I bet my car can go as fast as yours!"

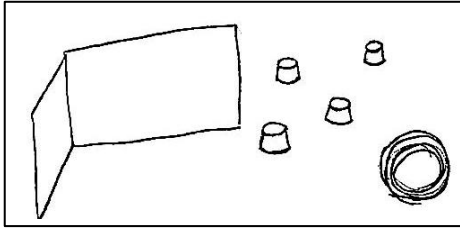
Ben and Boet ran, driving their trucks.

The wire cars went really fast.

The two friends had a wonderful time.

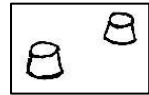
Lights

Ben wanted to improve his wire car.
He found some cardboard and four
bottle tops.

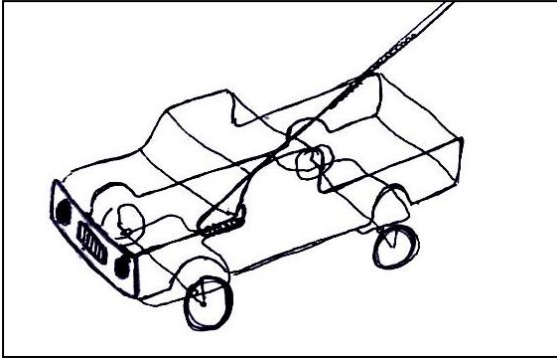


He and Boet worked together.
They cut a strip of cardboard.

Onto it they fastened two of the
bottle tops, using bits of wire.



Then they fastened the strip of
cardboard onto the front of Ben's car.
The bottle tops looked like lights.



"My car has lights!" said Ben.

"It looks great." He laughed.

"My car needs lights too," said Boet.

Together they worked on Boet's car.

Again they cut a strip of cardboard and

fastened two bottle tops onto it.



Then they used wire to fasten the strip onto the front of Boet's car.

The bottle tops looked just like lights.

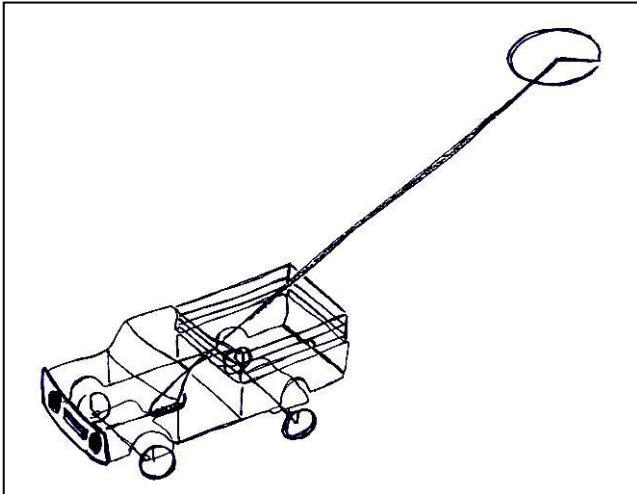
"Now my car looks good too," said Boet.

"It has also got lights."

He laughed, and got up.

"Come, Ben" he said.

"Come, I'll race you!"

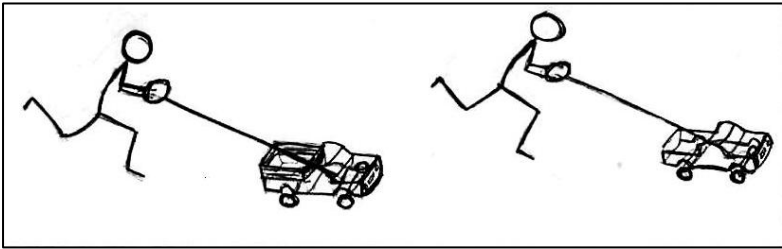


Faster, faster!

Ben and Boet raced each other.

The wire cars raced along.

They went really fast.



"Wait!" called Boet.

"Ben, wait for me! A wheel has come loose."

Ben waited for Boet to catch up with him.

He saw the problem.

A wheel on Boet's car had come loose.

"Let me just fasten it again," said Boet.

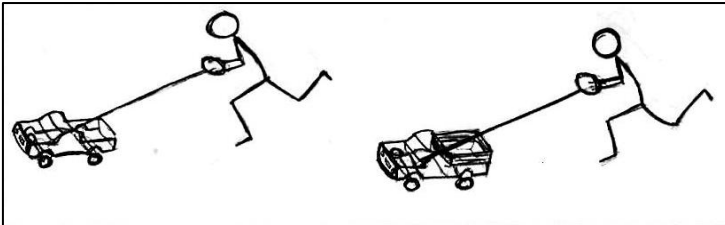
Ben helped him fix the wheel,
and soon they were off again,
racing down the street.

"Faster!" yelled Ben.

They raced each other down the road.

"Faster, faster!" yelled Boet.

It was a lot of fun.



Load up!

"I want to make my wire car stronger,"
said Ben.

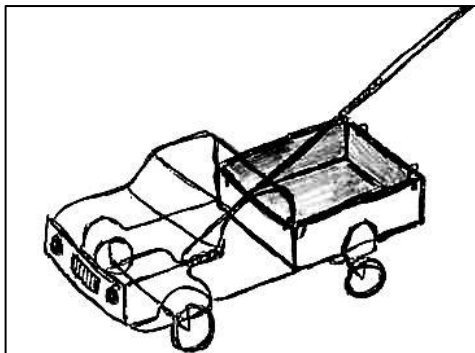
"I want to be able to load things on it."

"Good idea," said Boet. "Me too."

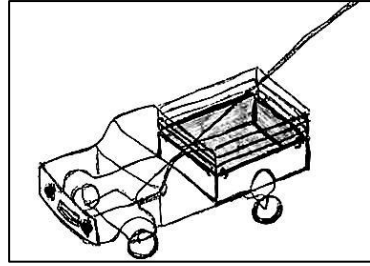
They worked on Ben's car first.

Ben cut a piece of cardboard and fitted
it into the back of his truck.

He fastened it with bits of wire.



Then they did the same to Boet's car.

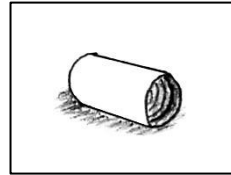


"Our trucks are nice and strong now," said Ben.

"Let's find something to load onto them."

They stood up and were ready to set off

when Boet saw an old tin lying in the street.



It looked nice and clean,

so he picked it up,

put a few small stones into it,

and loaded it onto the back of his truck.

"This looks good," he said.

They set off down the street, and then
Ben found an old tin too.

Soon their wire cars were fully loaded.

"Now, let's race," laughed Boet.

They raced off down the street.



"Faster!!" yelled Ben.

They went faster and faster.

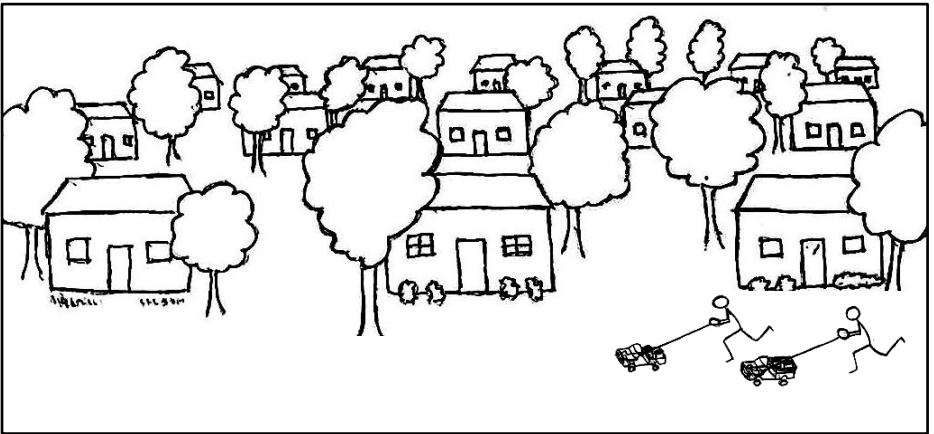
The stones rattled in the tins and made
a wonderful noise.

Ben and Boet laughed and laughed.

Slow down!

Ben and Boet drove their wire cars up and down in the streets of Klipplaat.

The tins and stones rattled and made a wonderful sound.



It was great fun.

The faster they went,
the more the stones rattled,
and the more Ben and Boet loved it.

Ben was racing along in front,
when he decided to turn the corner.

But he was going too fast.

Boet, coming along behind,
could see what was going to happen.

"Slow down!" he yelled at Ben.

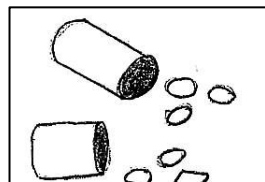
"Slow down!"

But it was too late.

Ben's wire car went round the corner,
but he was going too fast.

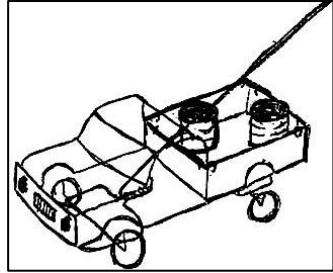
The car tipped over.

The tins and stones fell
out onto the road.



"What a crash!" said Boet while he helped Ben to pick it all up.

They loaded the tins back onto Ben's truck, and filled them up with stones again.



Ben stood up.

"Right!" he said. "Let's try that again!"
And off they went, faster and faster.

They went carefully round the corners,
but down the long straight streets
they raced as fast as they could.

The stones rattled in the tins,
making the wire cars roar.

Up and down in the streets of Klipplaat
they raced.

Ben and Boet laughed and laughed.

It was a lot of fun.

