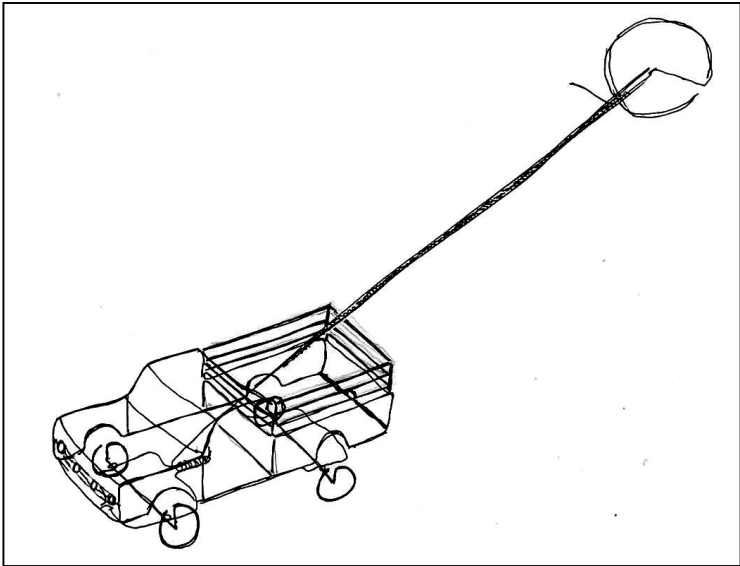


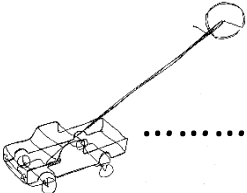
# *UThabo noThandi*

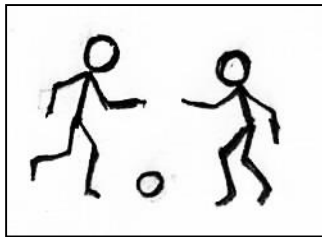


# UThabo noThandi

UThabo noThandi.....1

Ibhola ..........3

Imoto yecingo ..........5

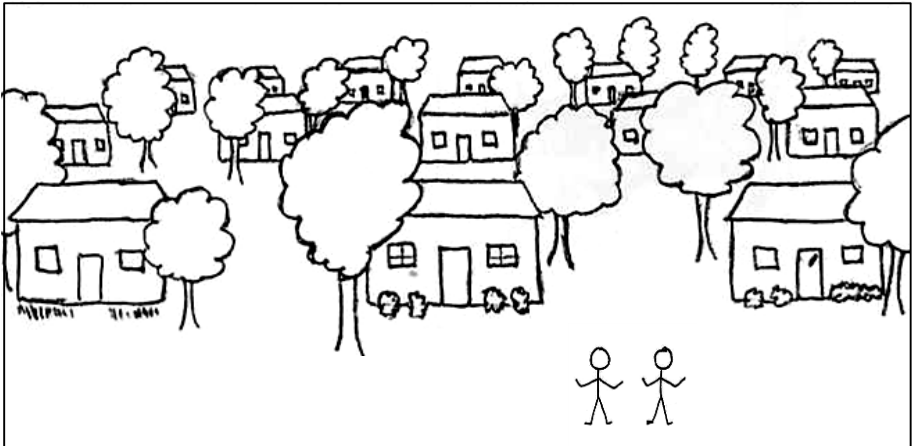


Le ncwadi ngeka.....

# UThabo noThandi

UThabo noThandi babehlala edolophini.

Igama le dolophu kuseKlipplaat.



UThabo noThandi babehlala eKlipplaat.

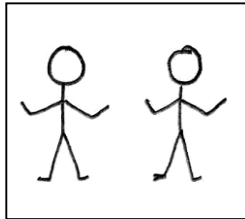
Babengabahlobo.

UThabo wathi:

“UThandi ngumhlobo wam.

Umna naye singabahlobo.

Ndiyavuya engumhlobo wam.”



# Ibhola

UThabo noThandi babehlala eKlipplaat.

Babengabahlobo.

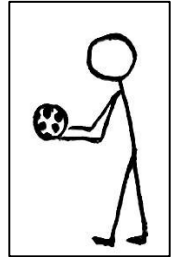
UThandi wafika endlwini kaThabo.

Wathi: "Thabo, iza.

Izokudlala.

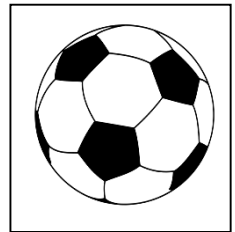
Masidlale kunye.

Ndinebhola."



UThabo wayevuya.

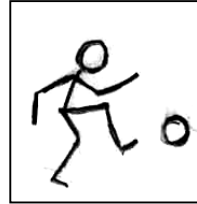
Wayefuna badlale kunye.



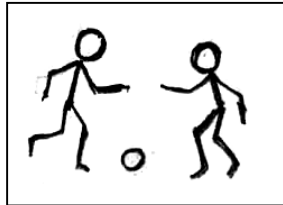
UThabo wayefuna ukudlala kunye  
noThandi.

Yena noThandi babengabahlobo.

UThabo wakhaba ibhola.



Yena noThandi babekhaba ibhola.



UThabo noThandi babedlala kamnandi  
kunye.

## Imoto yecingo

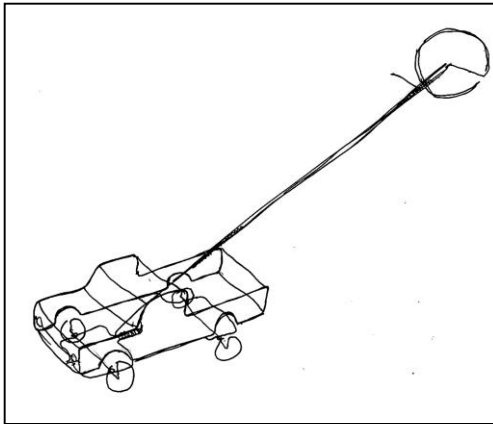
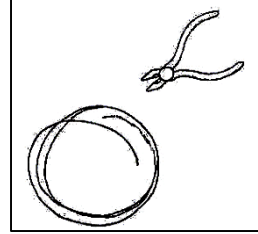
UThabo wayefuna ukwenza imoto yecingo.

Usebenze nzima.

Wenza imoto yecingo.

Imoto yecingo yakhe ibintle.

Imoto iqhube kakuhle.



UThabo wafika endlwini kaThandi.

Wathi, "Thandi, iza.

Izokubona.

Ndinemoto yecingo.

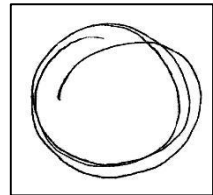
Izokubona imoto yecingo yam."

UThandi wayibona imoto yecingo

kaThabo. Ibintle.

UThandi naye wayefuna ukwenza

imoto yecingo.



UThabo wayevuya.

Wathi, "Masenze kunye imoto yecingo."

UThabo noThandi basebenze nzima.

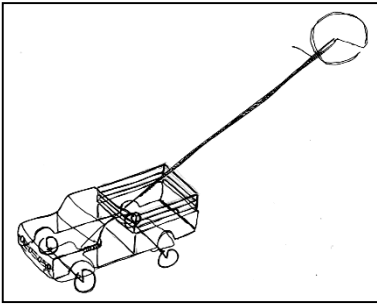


Basebenze kunye imoto yecingo.

Imoto kaThandi ibintle.

UThandi wayevuya.

Wathi, "Iza sidlale kunye.



Neyam imoto iyakwazi  
ukuqhuba kakuhle.

UThabo noThandi babeqhuba iimoto  
zecingo zabo.

Iimoto zecingo ziqhube kakuhle.

UThabo noThandi babedlala kamnandi  
kunye.